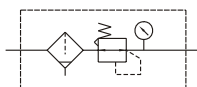


MAFR400 series

AIR UNITS (F.R.UNIT)



Symbol:



Specification:

Model	MAFR400		
Bore No.	8A	10A	15A
Port size	PT 1/4	PT 3/8	PT 1/2
Medium	Air		
Operating pressure range	0~9.9 kgf/cm ² (0~0.99 MPa)		
Proof pressure	15 kgf/cm ² (1.5 MPa)		
Effective orifice	35 mm ²		60 mm ²
Regulation pressure range	0.5~8.5 kgf/cm ² (0.05~0.85 MPa)		
Ambient temperature	-5~+60°C (No freezing)		
Filtration	Standard: 40 μm Option: 5 μm		
Attachment	Pressure gauge, bracket		
Weight	1350 g		

Order example:

MAFR400 — 10A — ☐ — BSP

MODEL

BORE SIZE

8A: PT 1/4

10A: PT 3/8

15A: PT 1/2

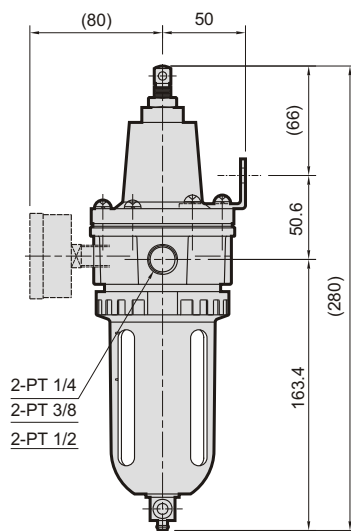
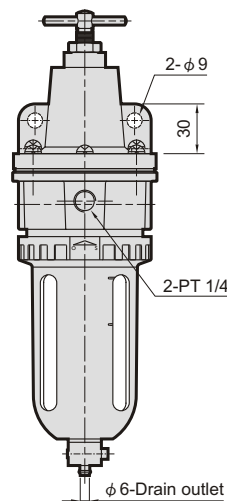
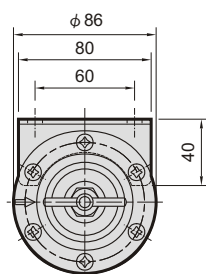
D: auto drain valve
(MADV 400)

PORT THREAD

Blank: PT thread

BSP: BSP thread

NPT: NPT thread



Flow feature:

